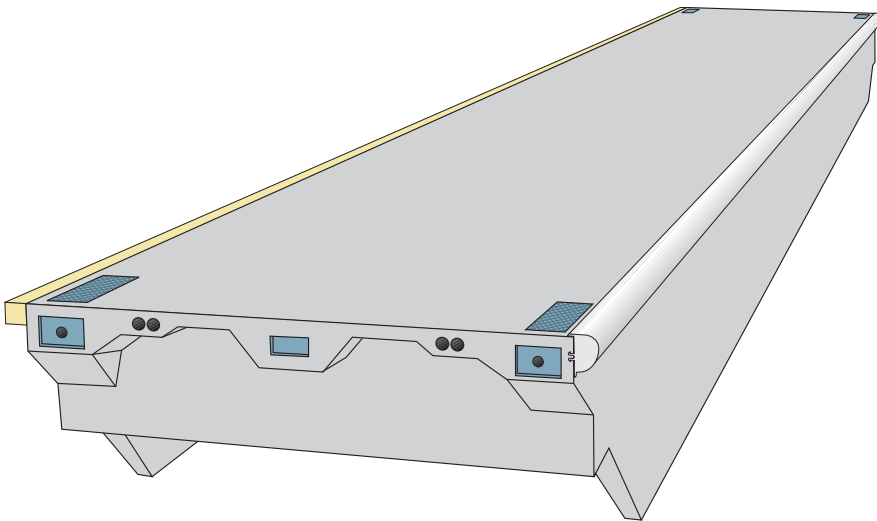


# Breakwater 4300K

The **Breakwater 4300K** units are massively strong and durable. Professionally designed by experienced engineers, the breakwaters have a long maintenance free service life. Features of the design are high freeboard, the exceptionally strong rubber/steel connections and the accessibility of the anchor connections providing easy installation. Fitted with twin keels the 4300K breakwater units have very effective wave attenuation characteristics.



| FLOATS                            | M4316BRK | M4320BRK | LAYOUT |
|-----------------------------------|----------|----------|--------|
| Length (m)                        | 16,05    | 19,90    |        |
| Width with fenders (m)            | 4,3      | 4,3      |        |
| Concrete width (m)                | 4,0      | 4,0      |        |
| Height (m)                        | 1,8      | 1,8      |        |
| Weight (t)                        | 33,6     | 41,2     |        |
| Net capacity (kN/m <sup>2</sup> ) | 6,0      | 6,0      |        |
| Freeboard (m)                     | 0,6      | 0,6      |        |
| Strength of joint (kN)            | 2x812    | 2x812    |        |
| Joint gap (mm)                    | 90       | 90       |        |

Exact unit weight and freeboard are subject to detailed specification of the unit, equipment and mooring methods.

Marinetek operates a policy of continuous development and reserves the right to change specifications without notice.

Revision date: 15.01.2008

## MARINETEK GROUP

Vattuniemenkatu 3  
FI-00210 Helsinki, Finland  
**WEB** [www.marinetek.net](http://www.marinetek.net)

**TEL.** +358 (0)9 682 4100  
**FAX** +358 (0)9 682 41030  
**EMAIL** [info@marinetek.net](mailto:info@marinetek.net)

## TECHNICAL DATA

Concrete strength: 45 N/mm<sup>2</sup> watertight, steel reinforced plastic fibre concrete. Exposure class according to European EN 206-1 standard.

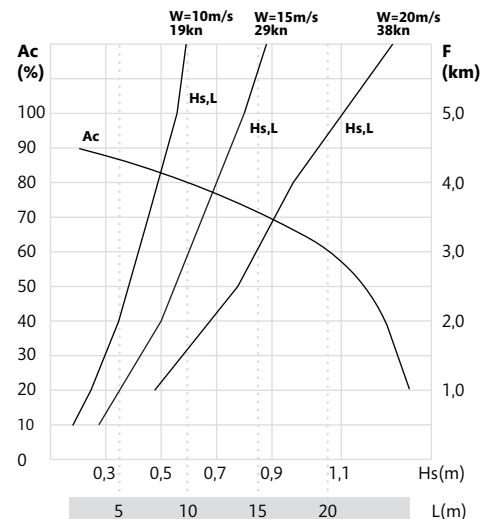
Core: Expanded polystyrene, density 15 kg/m<sup>3</sup>

Reinforcement: Partly or fully hot dip galvanised or stainless steel

Optional accessories: Concrete coatings, wooden deck, fixing rails, cable ducts and fenders (timber or plastic)

## WAVE ATTENUATION CAPACITY

Sheltered sea conditions



**F**=Effective fetch length. **W**=Wind velocity.  
**L**=Wave length. **Hs**=Significant wave height.  
**Ac**=Wave attenuation capacity.

