

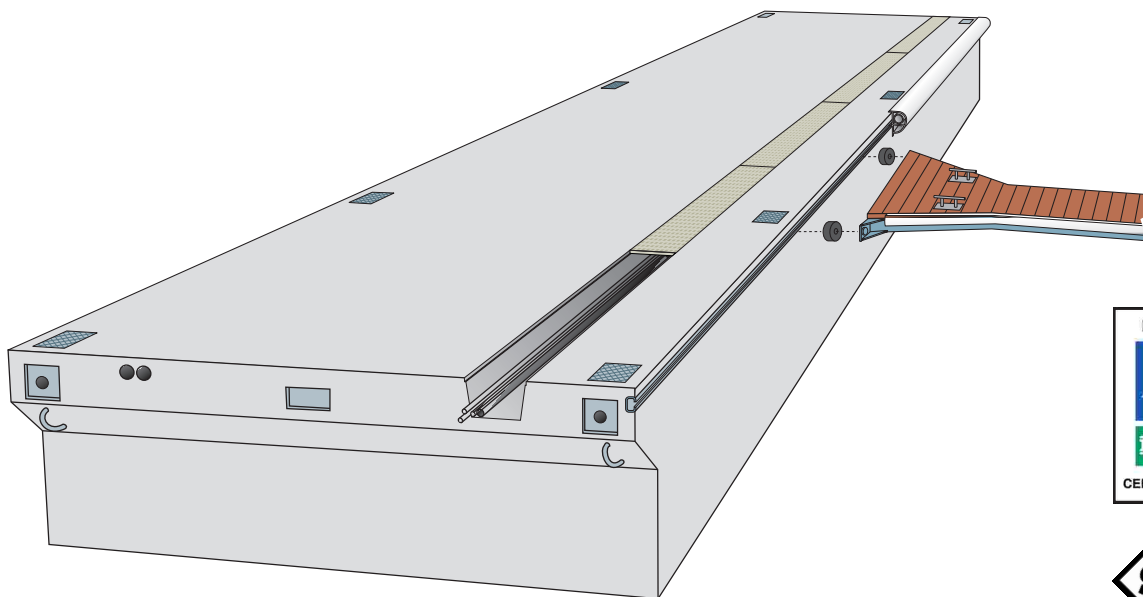
MARINETEK

SUPER YACHT PONTOONS 3500, 4000

Premium

M3516
M3520
M4016
M4020
SY
SYH

The **Super Yacht Pontoons** are part of the Premium pontoon range and have been designed for the mooring of the biggest boats and of super yachts in modern marinas. The design of the units is based on the Marinetek Breakwaters and are of extremely strong construction with reinforced joints and mooring points. The pontoons have a high deck loading capacity and exceptional stability. Super Yacht Pontoons are provided with higher freeboard options. Mooring can be by piles, chain or Seaflex.



TECHNICAL DATA

Concrete strength: 45-65 N/mm² watertight, steel reinforced fibre concrete or High Performance Concrete (HPC).

Exposure class according to European EN 206-1 standard.

Core: Expanded polystyrene, density 15 kg/m³

Reinforcement: Partly or fully hot dip galvanised or stainless steel

Optional accessories: Concrete coatings, wooden deck, fixing rails, cable ducts, service channels (240x120 / 350x250 mm) and fenders (timber or plastic)

FLOATS	M3516SY	M3520SY	M4016SY	M4020SY	M3516SYH	M3520SYH	M4016SYH	M4020SYH
Length (m)	16,05	19,90	16,05	19,90	16,05	19,90	16,05	19,90
Width (m)	3,5	3,5	4,0	4,0	3,5	3,5	4,0	4,0
Height (m)	1,2	1,2	1,2	1,2	1,5	1,5	1,5	1,5
Weight (t)	27,1-29,8	33,8-37,2	31,0-34,1	38,7-42,5	32,5-35,2	40,6-44,0	37,2-40,3	46,4-50,3
Net capacity (kN/m ²)	6,5-7,0	6,5-7,0	6,5-7,0	6,5-7,0	8,5-9,0	8,5-9,0	8,5-9,0	8,5-9,0
Freeboard (m)	0,65-0,7	0,65-0,7	0,65-0,7	0,65-0,7	0,85-0,9	0,85-0,9	0,85-0,9	0,85-0,9
Strength of joint (kN)	2x703	2x703	2x703	2x703	2x703	2x703	2x703	2x703

Exact unit weight and freeboard are subject to detailed specification of the unit and mooring methods.

Marinetek operates a policy of continuous development and reserves the right to change specifications without notice.

MARINETEK

Marinetek Finland Oy

Vattuniemenkatu 3, FIN-00210 Helsinki, Finland

Tel. +358 9 682 4100 Fax +358 9 682 41030

info@marinetek.net

www.marinetek.net