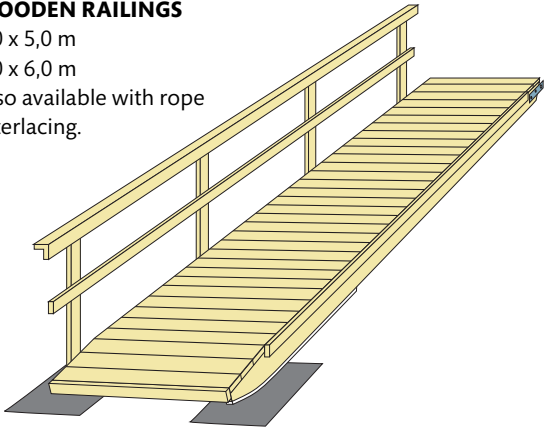


Access Bridges

WOODEN RAILINGS

1,0 x 5,0 m
1,0 x 6,0 m
Also available with rope interlacing.

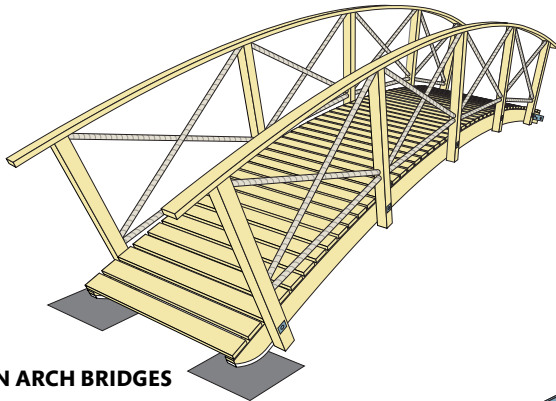


WOODEN BRIDGES

1,3 x 4,0 m
1,3 x 5,0 m
1,3 x 6,0 m
1,9 x 5,0 m
1,9 x 6,0 m
Includes wearing plastic plates.

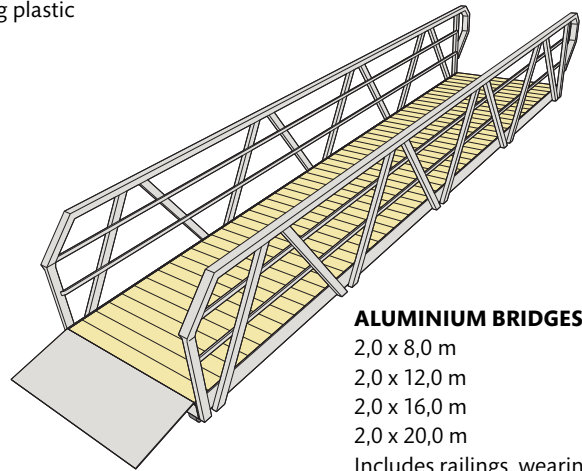
WOODEN HINGED BRIDGES

1,3 x 4,0 m
1,3 x 5,0 m



WOODEN ARCH BRIDGES

1,2 x 5,0 m
Includes railings with rope interlacing and wearing plastic plates.
Also available without railings.

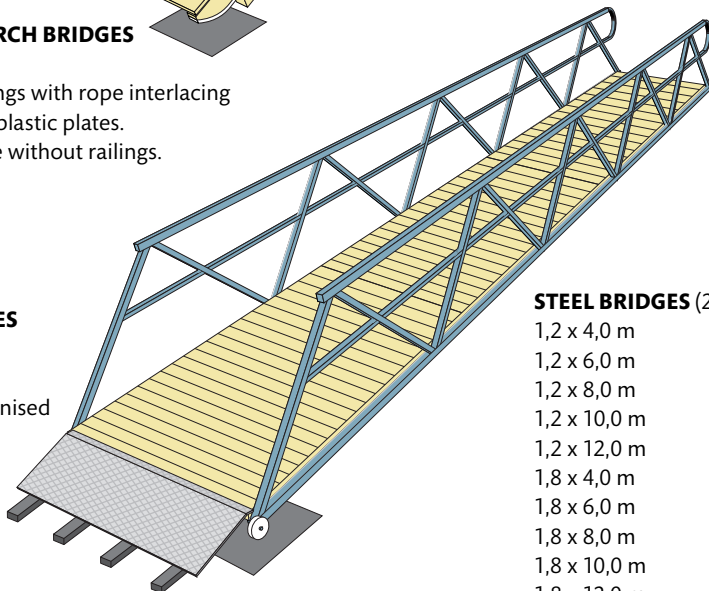


ALUMINIUM BRIDGES

2,0 x 8,0 m
2,0 x 12,0 m
2,0 x 16,0 m
2,0 x 20,0 m
Includes railings, wearing plastic plates and slope plate.
Aluminium frame.
Deck: Impregnated pine as standard, hardwood and wood plastic composite as options.

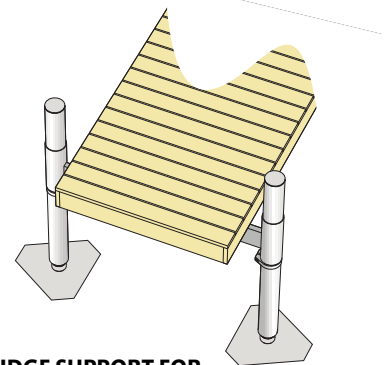
SLOPE PLATES

1,2 x 0,5 m
1,8 x 0,5 m
Hot dip galvanised steel.



STEEL BRIDGES (2,5 kN/m²)

1,2 x 4,0 m
1,2 x 6,0 m
1,2 x 8,0 m
1,2 x 10,0 m
1,2 x 12,0 m
1,8 x 4,0 m
1,8 x 6,0 m
1,8 x 8,0 m
1,8 x 10,0 m
1,8 x 12,0 m
Includes railings, wearing plastic plates and slope plate.
Hot dip galvanised steel frame.
Deck: Impregnated pine as standard, hardwood and wood plastic composite as options.



BRIDGE SUPPORT FOR SHALLOW SEA BED

Deck level adjustable from 0,5 m to 2,0 m
Aluminium (sea water proof)

Marinetek operates a policy of continuous development and reserves the right to change specifications without notice.

Revision date: 14.11.2008

MARINETEK GROUP

Vattuniemenkatu 3
FI-00210 Helsinki, Finland
WEB www.marinetek.net

TEL. +358 (0)9 682 4100
FAX +358 (0)9 682 41030
EMAIL info@marinetek.net

