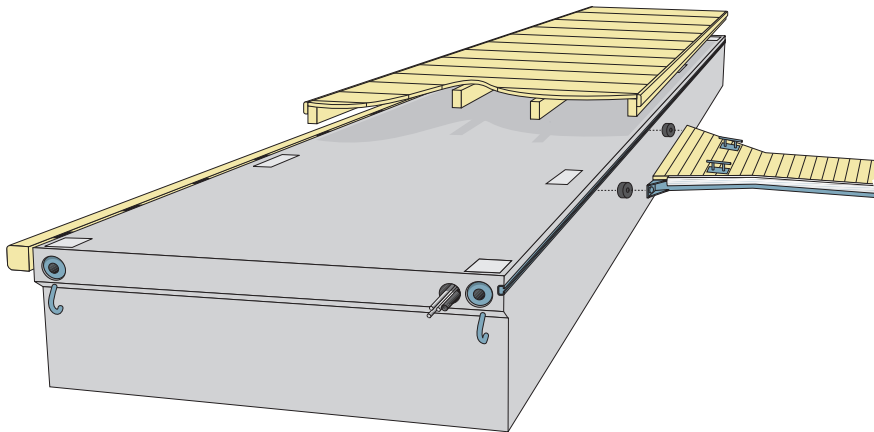


# Heavy Duty Pontoons 2700, 3300, 4300

The **Heavy Duty Pontoons** have been designed for boat moorings in modern marinas, overpass bridges and landing stages. They are very strong and maintenance free with high loading capacity and long service life. Internal cable ducts are available for water and electricity. The Heavy Duty Pontoons can be moored either by piles, chain or Seaflex and have been designed for economic freight and easy installation.



## TECHNICAL DATA

Concrete strength: 45 N/mm<sup>2</sup> watertight, steel reinforced plastic fibre concrete. Exposure class according to European EN 206-1 standard.

Core: Expanded polystyrene, density 15 kg/m<sup>3</sup>

Reinforcement: Partly or fully hot dip galvanised or stainless steel

Optional accessories: Concrete coatings, wooden deck, fixing rails, cable ducts and fenders (timber or plastic)

FLOATS	M2712HDS	M2715HDS	M3312HDS	M3315HDS	M4312HDS	M4315HDS
Length (m)	11,92	14,92	11,92	14,92	11,92	14,92
Width with fenders (m)	2,7	2,7	3,3	3,3	4,3	4,3
Concrete width (m)	2,4	2,4	3,0	3,0	4,0	4,0
Height (m)	0,85	0,85	0,85	0,85	0,85	0,85
Weight (t)	10,9	13,6	12,3	15,4	16,4	20,6
Net capacity (kN/m <sup>2</sup> )	4,6	4,6	5,0	5,0	5,0	5,0
Freeboard (m)	0,46	0,46	0,50	0,50	0,50	0,50
Strength of joint (kN)	2x322	2x322	2x322	2x322	2x322	2x322
Joint gap (mm)	35	35	35	35	35	35

Exact unit weight and freeboard are subject to detailed specification of the unit, equipment and mooring methods.

Marinetek operates a policy of continuous development and reserves the right to change specifications without notice.

Revision date: 15.01.2008

## MARINETEK GROUP

Vattuniemenkatu 3  
FI-00210 Helsinki, Finland  
WEB [www.marinetek.net](http://www.marinetek.net)

TEL. +358 (0)9 682 4100  
FAX +358 (0)9 682 41030  
EMAIL [info@marinetek.net](mailto:info@marinetek.net)



**MARINETEK**  
More than Surface