

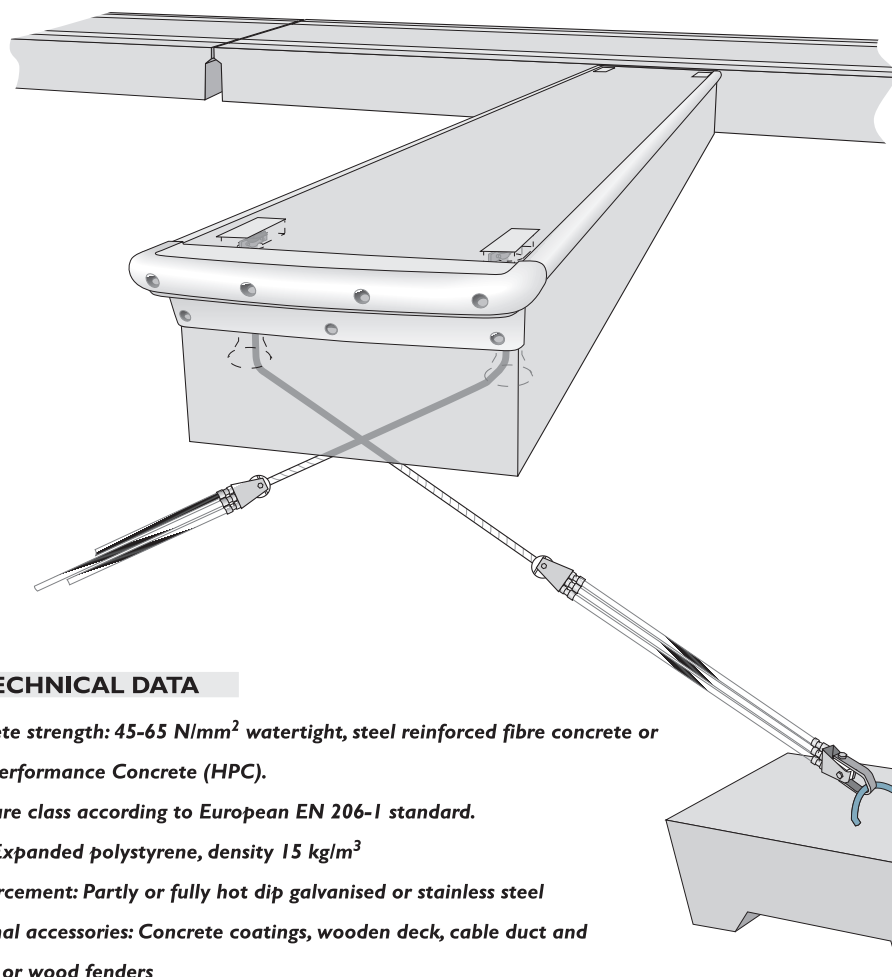
# MARINETEK

## SUPER YACHT FINGERS

Premium

The **Super Yacht Fingers** complement the Heavy Duty, Premier and Super Yacht pontoons and provide unprecedented standards of finger berthing for large boat marinas. The modular design of the all concrete fingers represents the latest technology in pontoon construction. The fingers are extremely stable with a high loading capacity and long service life. They can be moored either by piles, chain or Seaflex.

FI 2000  
FI 5000  
FI 6000  
F20000  
SY  
SYH



### TECHNICAL DATA

Concrete strength: 45-65 N/mm<sup>2</sup> watertight, steel reinforced fibre concrete or High Performance Concrete (HPC).

Exposure class according to European EN 206-1 standard.

Core: Expanded polystyrene, density 15 kg/m<sup>3</sup>

Reinforcement: Partly or fully hot dip galvanised or stainless steel

Optional accessories: Concrete coatings, wooden deck, cable duct and plastic or wood fenders

FINGERS	FI2000SY	FI5000SY	FI2000SYH	FI5000SYH	FI6000SYH	FI6000SYHH	F20000SYH
Length (m)	11,9	14,9	11,9	14,9	15,8	15,8	19,6
Concrete width (m)	1,5	1,5	1,5	1,5	1,5	1,5	2,0
Height (m)	0,85	0,85	1,0	1,0	1,0	1,2	1,2
Weight (t)	7,1	8,8	8,0	10,0	10,6	13,4	22,4
Net capacity (kN/m <sup>2</sup> )	4,5	4,5	5,5	5,5	5,5	6,2	6,2
Freeboard (m)	0,45	0,45	0,55	0,55	0,55	0,62	0,62

Exact unit weight and freeboard are subject to detailed specification of the unit and mooring methods.

Marinetek operates a policy of continuous development and reserves the right to change specifications without notice.



**Marinetek Finland Oy**  
Vattuniemenkatu 3, FIN-00210 Helsinki, Finland  
Tel. +358 9 682 4100 Fax +358 9 682 41030  
info@marinetek.net  
www.marinetek.net